

IMPORTANT : All INNOARC products must be installed in strict accordance with INNOARC'S latest (at time of installation) "INSTALLATION GUIDE" and "CARE AND MAINTENANCE GUIDELINES" which can be downloaded from our website : www.innoarc.com.au
Failure to comply with these documents may void warranty and result in an unsatisfactory outcome.

REIF ■ DuraLink®

BEFESTIGUNGSSYSTEME



INSTALLATION GUIDE 



REIF ■ DuraLink Aluminium System - Decking Framing Option

Thank for choosing to use the REIF DURALINK aluminium substructure system, you have chosen the industry leading, stable, durable and easy to install substructure.

The following installation guide summarises all the preparation, layout and building of the aluminium substructure. Note that the decking board manufacturers decking layout instructions must be followed to achieve the best outcome.

REIF ■ DuraLink - The Components



DuraBeam 1.1



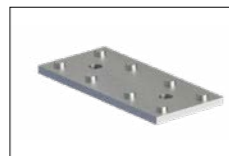
DuraFix Z 90



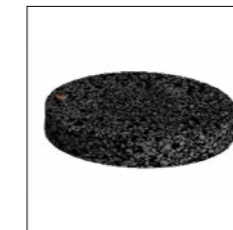
DuraLift



Components Connector Screw (TX Screw)



DuraFix Z 180



DuraPad
5mm or 10mm Complete
with Adhesive Pad



DuraBeam 3.0

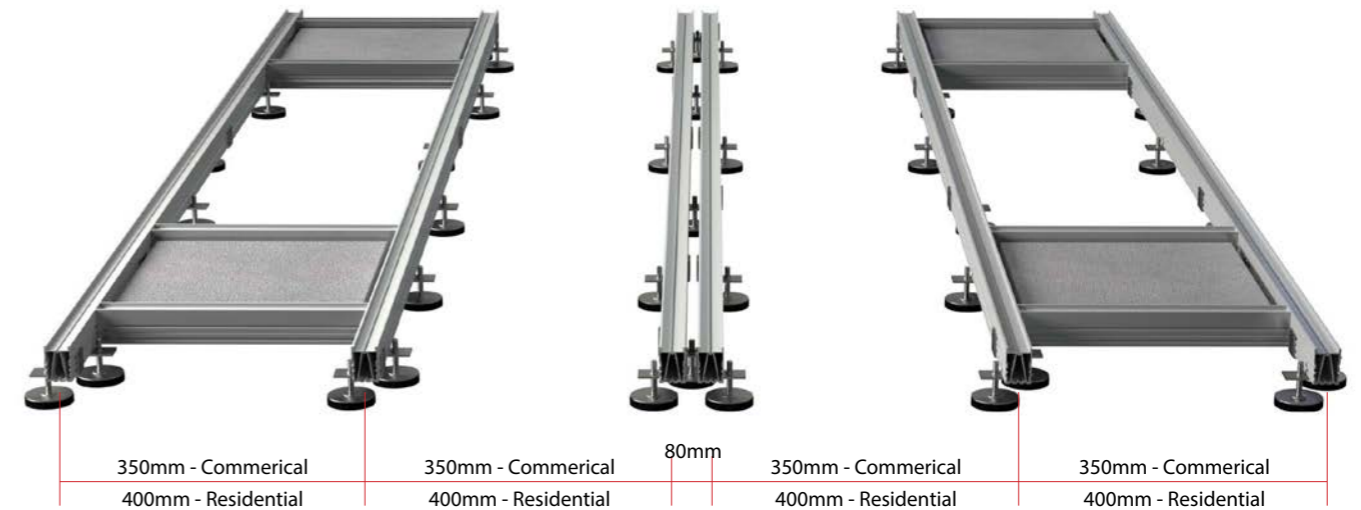


DuraFix Z Vario

Note: Screws are Galvanised as standard, Stainless Steel option available upon request.

Framing Design Requirements

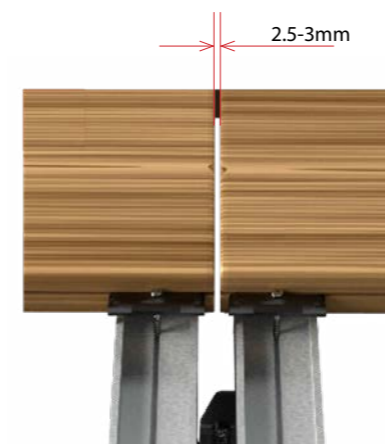
REIF DuraLink allows installation of raised outdoor areas without the need to penetrating the waterproof membrane. A superior aluminium substructure that is durable, easy to height adjust, level and install. It incorporated adjustable feet and support rails that together make up the decking substructure.



NOTE:

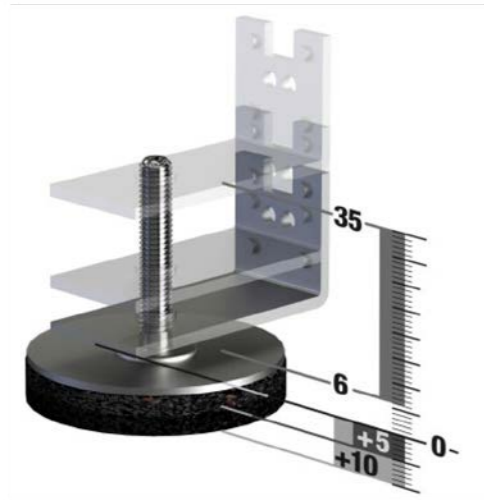
The data specified by the decking manufacturer for the decking profile spans must be complied with, when they differ from the commercial and residential spans shown. Please consult InnoArc when this occurs.

- Ensure a solid substrate is present (crushed rock, concrete etc) as the decking substructure will only be as solid as the substrate.
- If installed on support structures such as roof terraces, balconies, etc, check to ensure that static loading capacity of the support structure is adequate for the support of the REIF DURALINK and decking product.
- Ensure comply to all local building regulations (railing heights, drainage etc) prior to commencing.

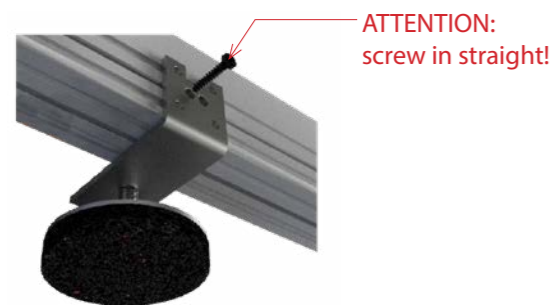


- When installing a butt joint, a DuraBeam profile is required for each board end.
- When laying wooden boards, a butt joint spacing of approximately 2.5-3 mm is recommended; when laying composite timber decking board, please refer to manufacturer's recommendations.
- It is recommended that a slight slope is produced when laying the decking to ensure that the rainwater can run off.

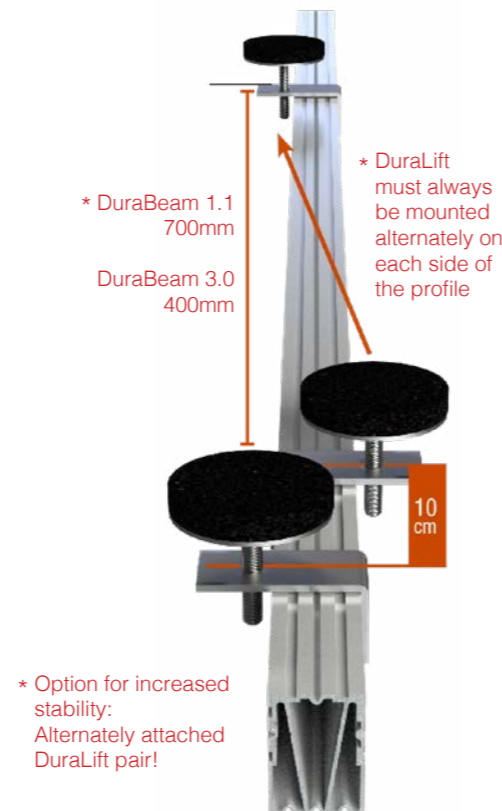
Mounting The DuraLift Height Adjustment Device



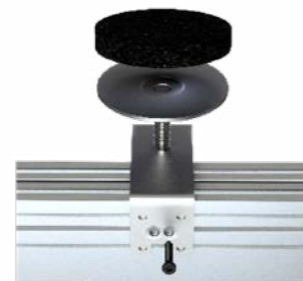
- Adjustment height: 6-35mm;
- Pad height: 55mm or 10mm;
- Maximum height: 55mm with two 10mm Durapads;
- Maximum allowable uniformly distributed load: 4 kPa.



- If installing the Durapad after the DuraLift is mounted to the DuraBeam, the Pad must be stuck on flush and aligned with the metal disc. (Do not exceed the total pad height of 20mm in any combination).
- Use the TX screws provided to fasten the DuraLift to the lower side of the DuraBeam.
- ATTENTION: Remember any oil from the contact of the metal disc before sticking on the DuraPad.



- Mount the DuraLift feet on alternating sides of the DuraBeam 1.1 at distances of maximum 700mm center to center.
- Mount the DuraLift feet on alternating sides of the DuraBeam 3.0 at distances of maximum 400mm center to center.
- To increase stability in case of oneoff loads (e.g. plant pots), it is recommended that DuraLift be mounted on both sides in pairs with an offset spacing of approximately.



- When using DuraPad, after the DuraLift is mounted, the Pad must be glued flush with the metal disc. (Do not exceed the pad height of maximum. 2 x 10 mm).

The Installation - DuraFix

NOTE:

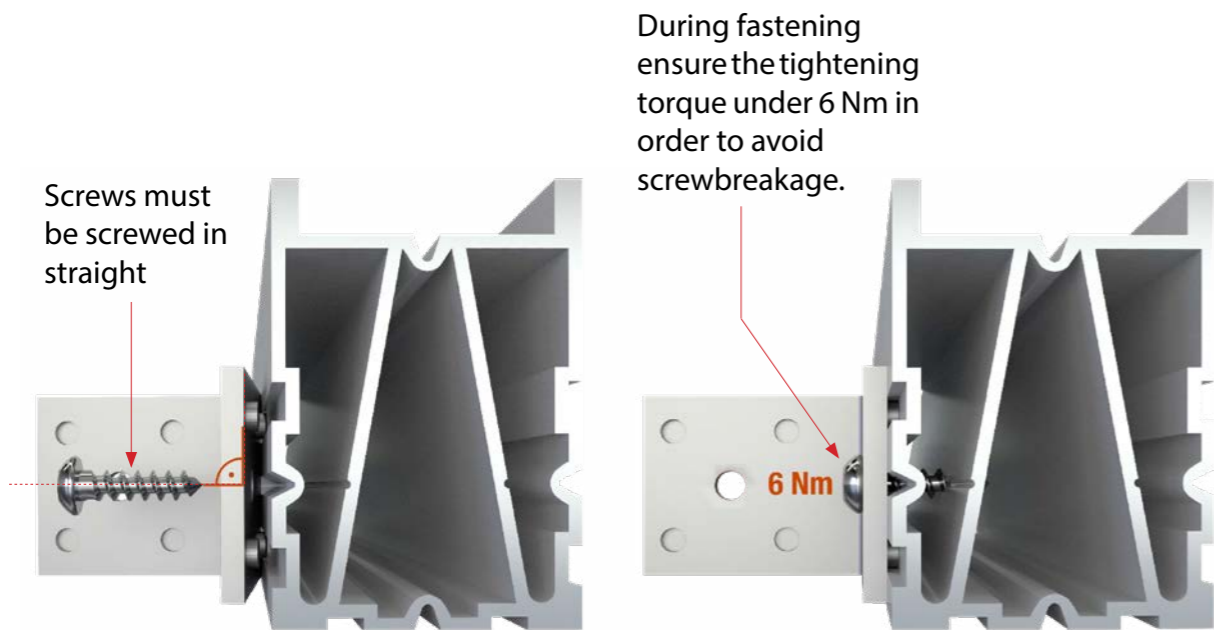
The data specified by the decking manufacturer for the decking profile spans must be complied with, when they differ from the commercial and residential spans shown. Please consult InnoArc when this occurs.



- In order to achieve the best stability, DuraLift feet must be installed on alternate sides of the DuraBeam profile.
- Two DuraBeam must be positioned at a distance of maximum 120mm under a butt joint.

The "DuraLink Principle" - DuraFix

The "DuraLink Principle" - DuraFix



DuraBeam profile extensions with DuraFix Z 180

DuraFix Z 90 angle connector

DuraFix Z 90 angle connector with the DuraFix Z 180 as reinforcement



Durafix Z Vario allows variable angles

DuraFix can also be used as a bracket for interfacing with other materials

This ensures the rapid, simple and stable installation of the REIF DuraLink system:

- The alignment knobs on the DuraFix components correspond with the mounting rails in the DuraBeam to ensure precise positioning.
- Just a single screw on either side will ensure a positive lock so that the shear force is uniformly distributed across the 8 alignment knobs.
- The screw channels along with the alignment knobs ensure precise, rapid and aligned fixings.
- The design of the screw groove enables rapid and almost chip-free fixing.

NOTES

INNOARC
SYSTEMS SPECIALIST
FOR MORE INFORMATION, PLEASE VISIT INNOWOOD AT
WWW.INNOARC.COM.AU
OR CALL 1300 654 795